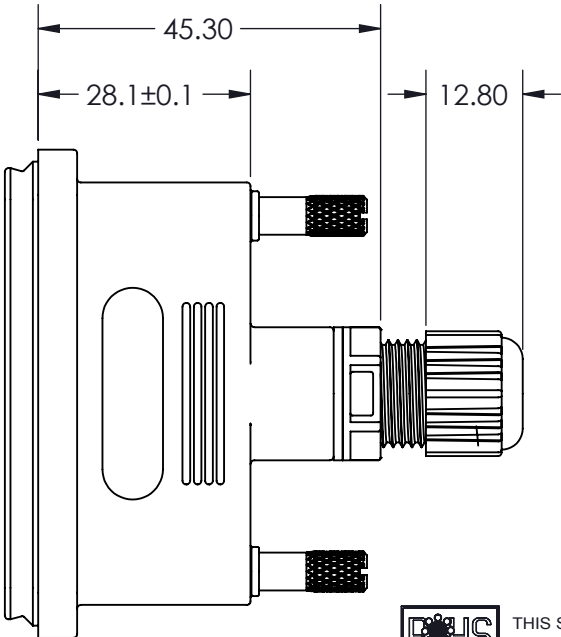
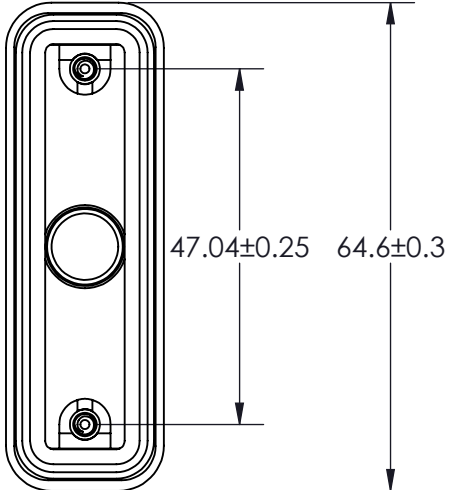
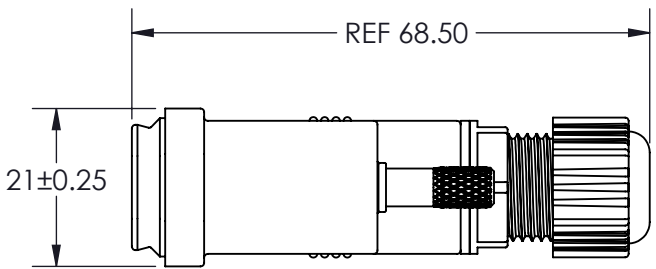
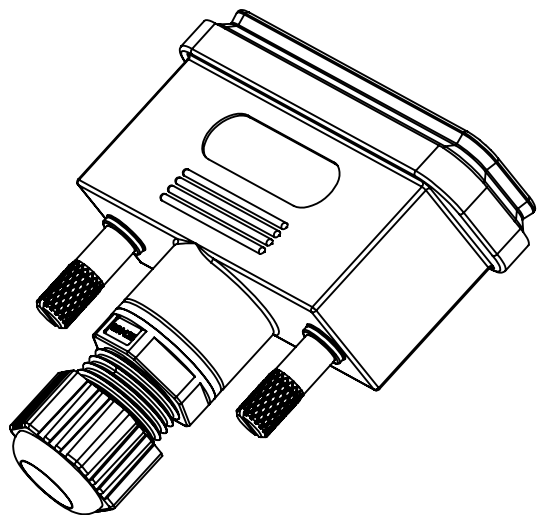


THIS IS A C.A.D. GENERATED DRAWING  
DO NOT MAKE MANUAL REVISIONS TO MASTER.



ISSUE NUMBER	
ORIGINAL	①




- Materials and Finish**
1. Housing: ABS, UL94V-0, Black
  2. Gasket: Silicon, Black
  3. O-Ring: Silicon, Black
  4. Screw: Brass, Nickel Plated
  5. Body Nut: ZYTEL, Black
  6. Seal: Silicon, Black
  7. Pressure Washer: Silicon, Black
  8. Sealing Nut: ZYTEL, Black



THIS SERIES FULLY CONFORMS TO THE EUROPEAN UNION DIRECTIVES 2002/95/EC AND 2002/96/EC FOR RoHS COMPLIANCY.

DEGREE OF PROTECTION: IP67 AS PER IEC60529

<b>Standard Density Waterproof D-Sub Connector BACKSHELL 627-230-025-010</b>		ACAD REFERENCE NO. 627-230-025-010	
		DRAWN: R.STA.MONICA	DATE: June.4/13
 <b>EDAC INC</b> TORONTO, ONTARIO CANADA YOUR CONNECTION TO QUALITY & SERVICE		CHECKED:	DATE:
		SCALE: NTS	SHEET 1 OF 1
THESE DRAWINGS AND SPECIFICATIONS ARE THE PROPERTY OF EDAC INC. AND SHALL NOT BE REPRODUCED, OR COPIED OR USED AS THE BASIS FOR THE MANUFACTURE OR SALE OF APPARATUS WITHOUT WRITTEN PERMISSION.		DRAWING NUMBER 627-230-025-010	ISSUE 1